

# PROPOSED CLOSE BOARD FENCING DETAIL

# PHASE 5, PARC GWERNEN, TYCROES

**Notes**  
 This drawing is copyrighted and must not be reproduced or disclosed to third parties without the prior written permission of Prime Architecture Limited.  
 Do not scale from this drawing. Responsibility will not be accepted by Prime Architecture Limited for errors made by others scaling from the drawing. Use written dimensions only. Contractor to verify all dimensions before commencing work on site.  
 Prime Architecture Limited are to be notified immediately in writing of any discrepancies. All survey information incorporated within the drawings cannot be guaranteed as accurate unless confirmed by a fixed dimension.  
 All dimensions are in millimeters unless otherwise noted.  
 This drawing is to be read in conjunction with all relevant project drawings and specification prepared by Prime Architecture Limited and other relevant consultants, specialists, etc.  
 CDM noted are provided to assist the contractor in managing residual hazards identified during the design stage. Any such notes do not relieve the contractor of their duties and they must provide a safe system of work based on method statements, risk assessments, etc.

Revision:	Description:	Date:

Drawing Status:  
**BUILDING REGULATIONS**



Prime Architecture Limited, 3 Llandeilo Road, Cross Hands, Llanelli, SA14 6NA.  
 01269 842 575  
 info@prime-arch.co.uk  
 www.prime-arch.co.uk  
 © Prime Architecture Limited 2017

Client:  
 Haywood Homes Ltd

Project Title:  
 Phase 5 - Development of 27 New Homes at Parc Gwernen, Tycroes

Drawing Title:  
 1.8m High Close Board Fencing Detail

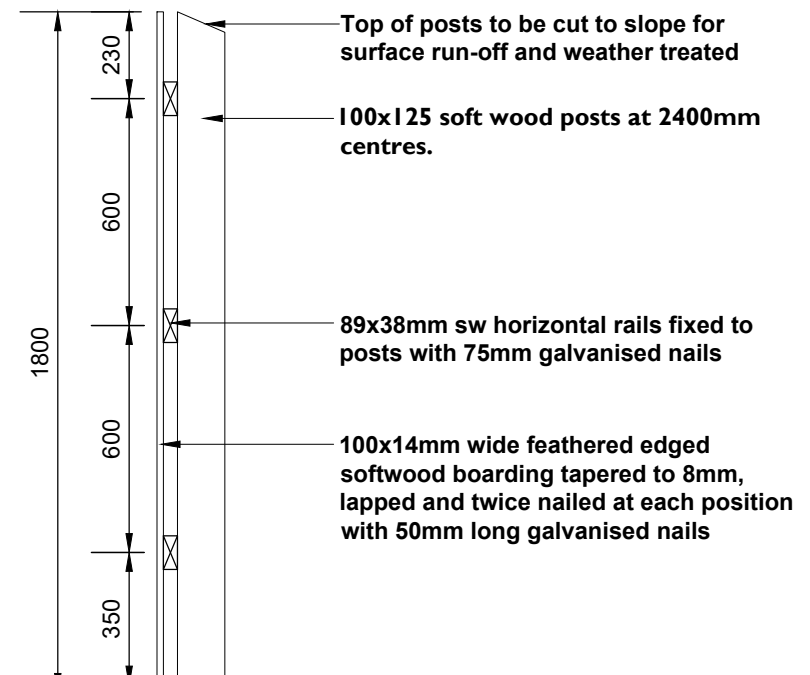
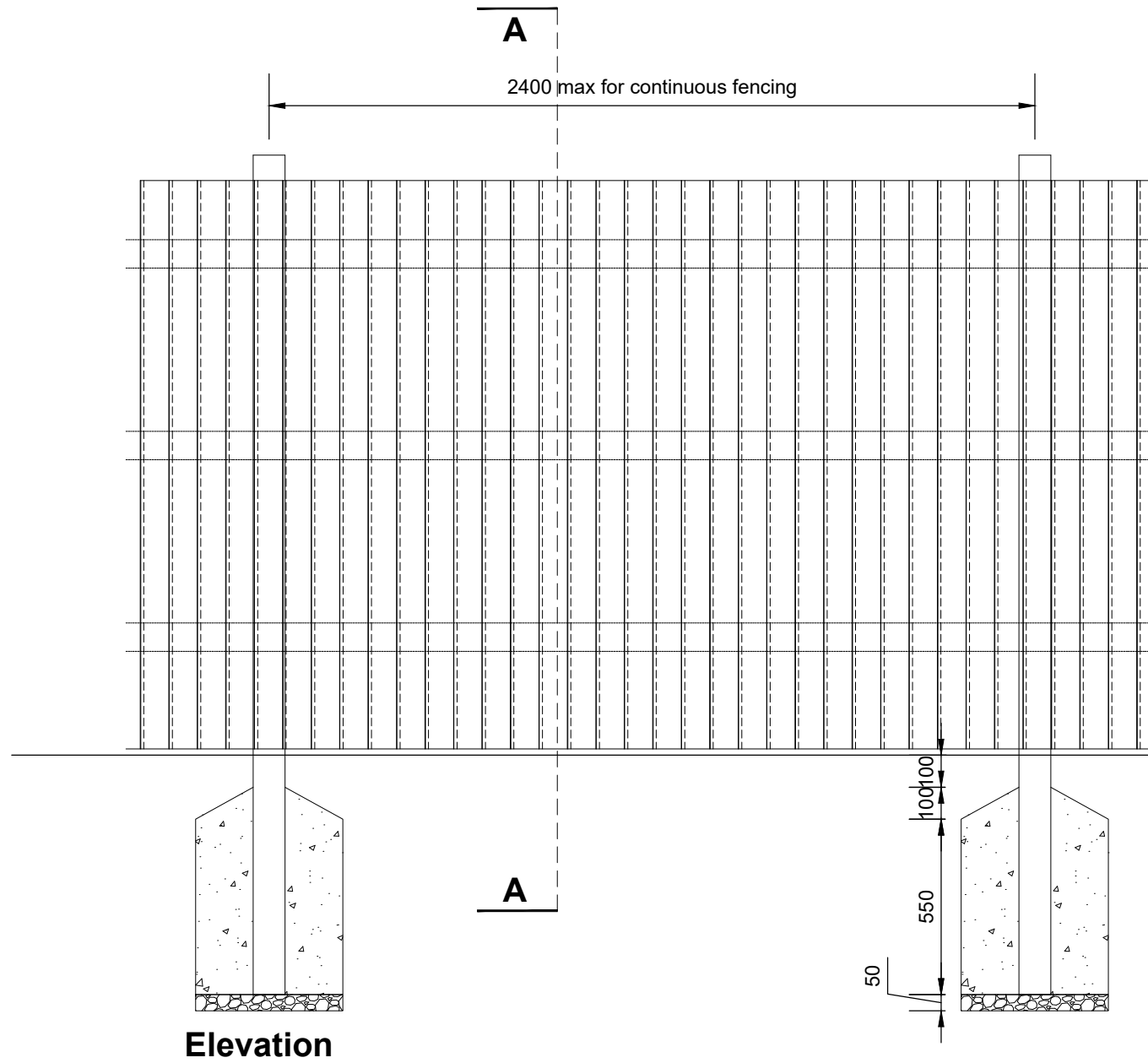
Scale:  
 1:20 & 1:5 @ A3

Date:  
 June 2018

Job No:  
 617

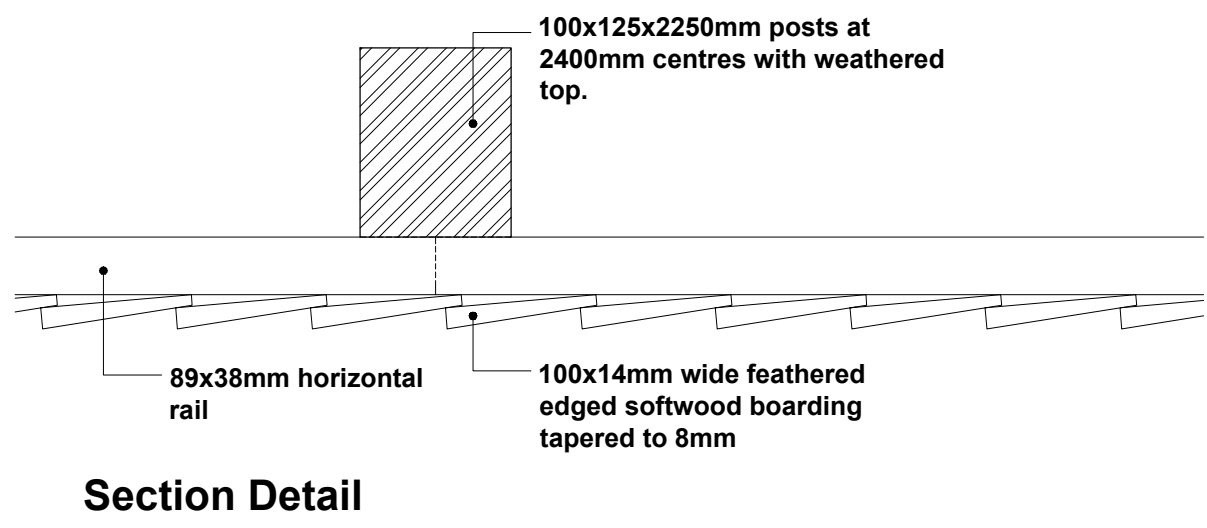
Drawing No:  
 01

Rev:  
 -

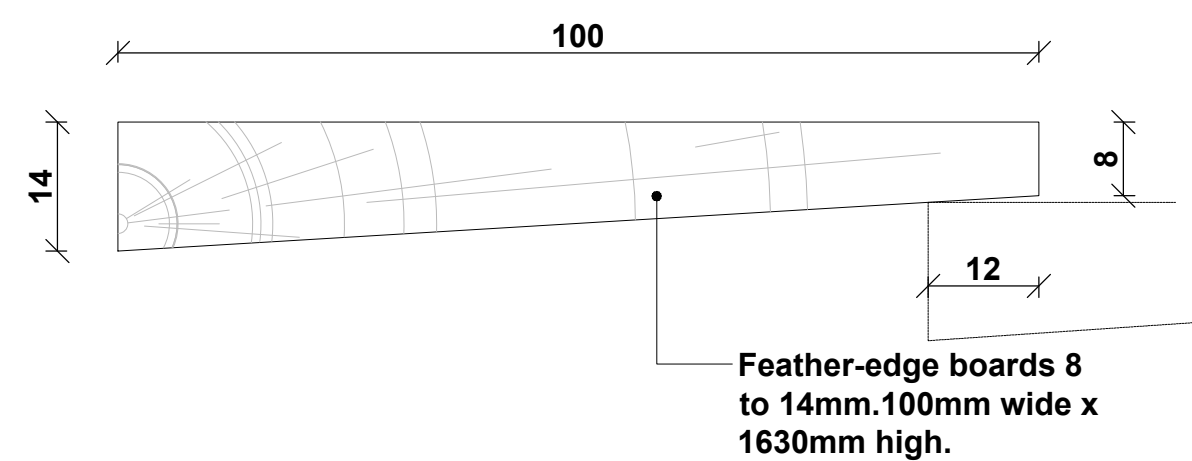


Close board fence and all components to comply with bs 1722, part 5. All timber to be preserved in accordance with BS 5589 (Category B).

**Section A-A**



**Section Detail**



**Feather-edge boards 8 to 14mm.100mm wide x 1630mm high.**