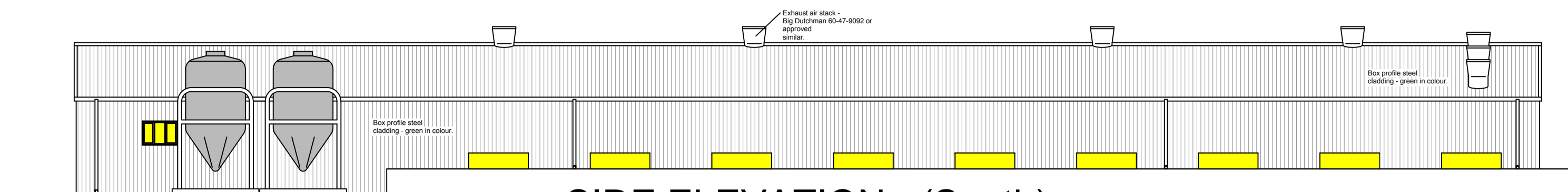
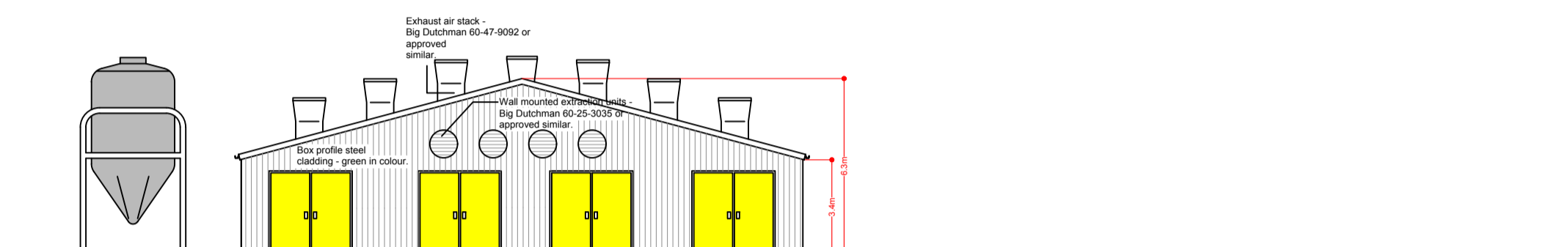


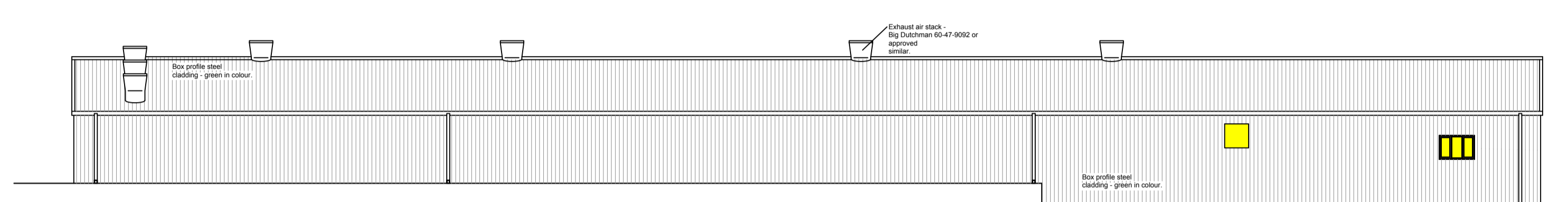
FRONT ELEVATION



SIDE ELEVATION - (South)



**REAR ELEVATION
(EAST)**



SIDE ELEVATION - (North)

F	Gable Width	10.11.17
E	Extraction system	8.8.17
D	Extraction system	1.3.17
C	Extraction system	7.6.16
B	Extraction system	28.7.15
A	Planning	28.7.14
REV	DESCRIPTION	DATE

**DR
Design**

Architectural Services
Davies Richards Design Ltd.
Llandeilo - 01558 823351
Mumbles - 01792 347692

E-MAIL - info@daviesrichardsdesign.com
WEB - www.daviesrichardsdesign.com

CLIENT :
Mr T Davies

JOB TITLE :
Proposed free range poultry unit at land to North of Glanmyddyfi Pentrefelin Llandeilo Carmarthenshire

DRAWING TITLE :
Proposed layout plans and elevations.

Original paper size - A1
SCALE : **1/200**

DRAWN BY : **CJW** DATE : **March 2014**

PLAN No CW415/01	REVISION F
----------------------------	----------------------

