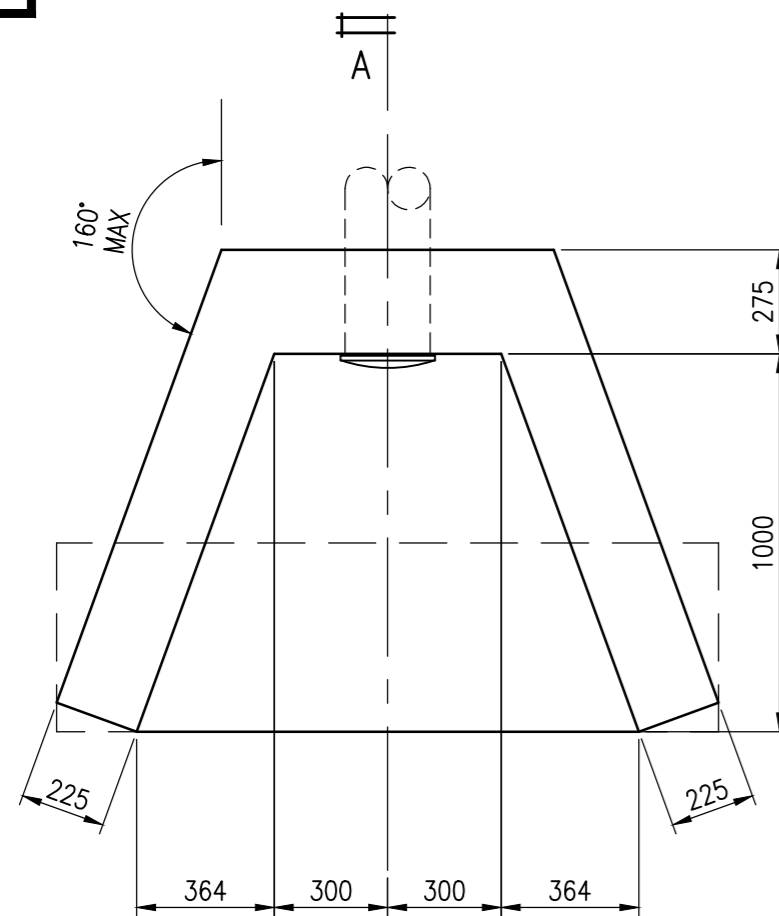
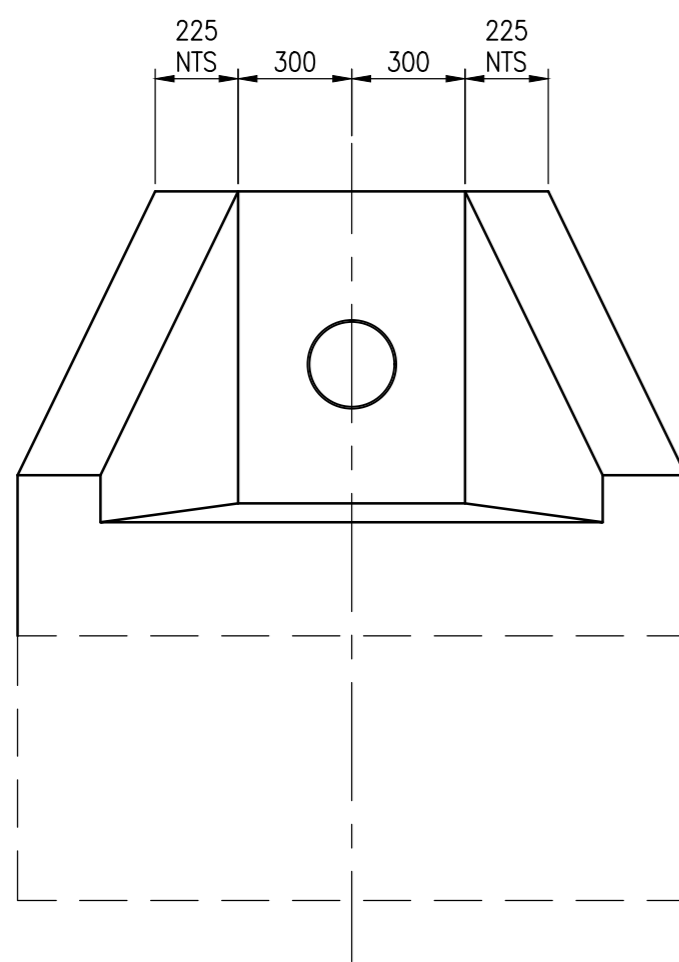


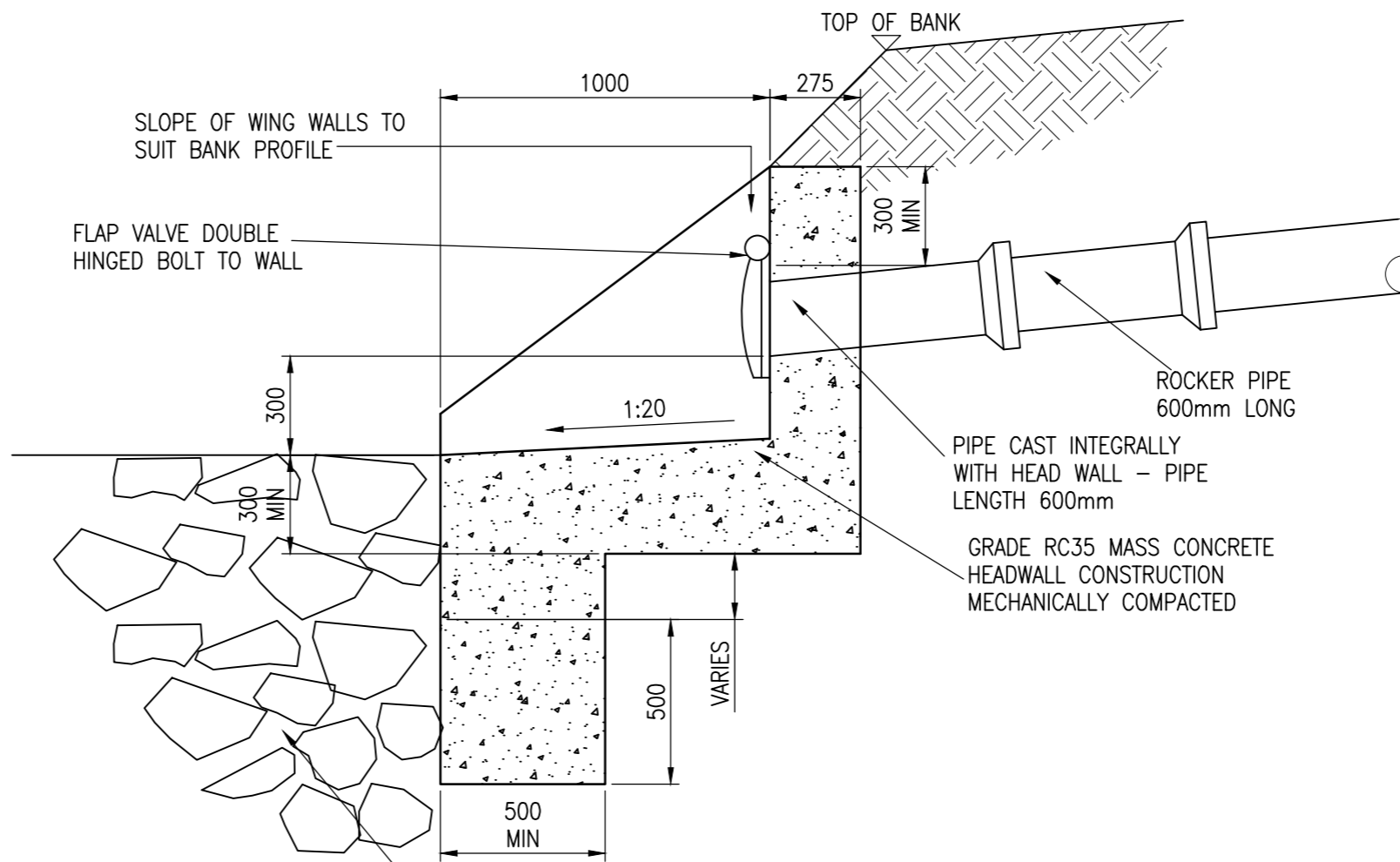
DO NOT SCALE



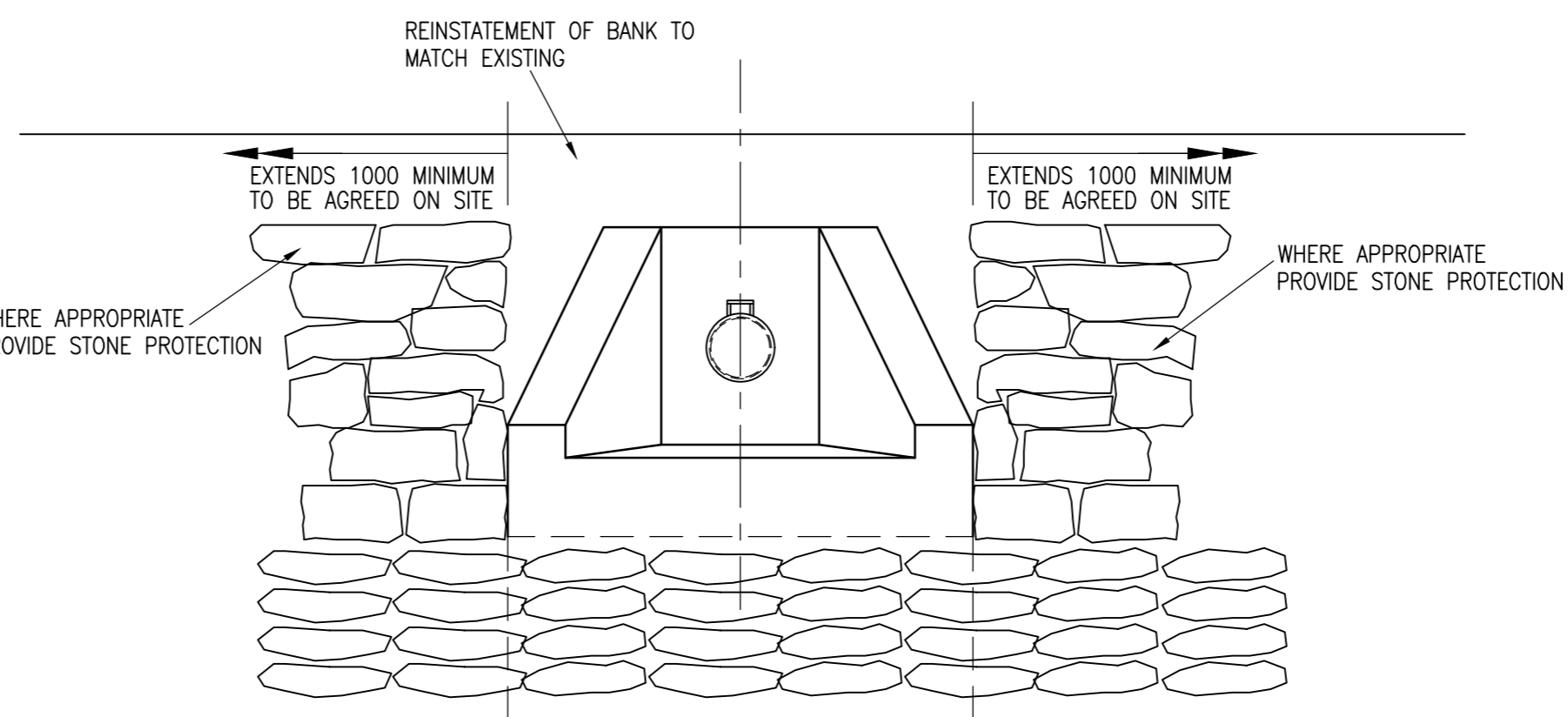
PLAN
SCALE 1:20



FRONT ELEVATION
(FLAP VALVE OMITTED FOR CLARITY)
SCALE 1:20



SECTION A-A
SCALE 1:20



FRONT ELEVATION
SCALE 1:25

NOTES

- 1 ALL WORK WITHIN WATERCOURSE TO BE IN ACCORDANCE WITH CLAUSE 1.15 OF THE CIVIL ENGINEERING SPECIFICATION FOR THE WATER INDUSTRY AND WHERE APPROPRIATE COMPLETED TO THE SATISFACTION OF NATURAL RESOURCES / ENVIRONMENT AGENCY.
- 2 FACING TO SUIT LOCATION – STONE PITCHING SHALL FORM A SMOOTH HARD AND DURABLE SLOPE TO MATCH THE EXISTING BANK PROFILE WHERE USED.
- 3 WHERE DISTANCE BETWEEN TOP AND BASE OF HEADWALL EXCEEDS 1100mm, HANDRAILING TO BE PROVIDED IN ACCORDANCE WITH STATUTORY UNDERTAKERS REQUIREMENTS.
- 4 WHERE STONE FACING MATERIAL USED – STONE TO BE SOURCED LOCALLY AND TIED TO CONCRETE WALLS WITH STAINLESS STEEL TIES OR CAST-IN CHANNEL TWIST LOCK WALL TIES.
- 5 ALL EXPOSED ARRISSES TO BE FINISHED WITH 20x20mm CHAMFER.
- 6 HEADWALL TO BE CONSTRUCTED SO AS NOT TO OBSTRUCT EXISTING WATERCOURSE FLOW.

NOTES:

THE PROPERTY OF THIS DRAWING AND DESIGN IS VESTED IN ROGER CASEY ASSOCIATES AND MUST NOT BE COPIED OR REPRODUCED IN ANY WAY WITHOUT THE WRITTEN CONSENT OF ROGER CASEY ASSOCIATES.

THE CONTRACTOR IS TO CHECK ALL LEVELS AND DIMENSIONS BEFORE WORK COMMENCES, AND ANY DISCREPANCIES TO BE REPORTED IMMEDIATELY TO THE CONSULTANTS.

WORK TO FIGURED DIMENSIONS IN PREFERENCE TO SCALING.

THIS DRAWING IS TO BE READ IN CONJUNCTION WITH ALL OTHER ROGER CASEY ASSOCIATES DRAWINGS AND SPECIFICATIONS AND ALL OTHER CONSULTANTS DRAWINGS AND SPECIFICATIONS RELATING TO THIS PROJECT.

REV	DESCRIPTION	DRAWN	CHECK	DATE

DRAWING STATUS:
PLANNING



Consulting Civil & Structural Engineers

Ty Mansel, 6 Mansel Street,
Carmarthen,
Carmarthenshire SA31 1PX
T: 01267 222 646
Units 10 & 11, Merlin's Court,
Winch Lane, Haverfordwest,
Pembrokeshire SA61 1SB
T: 01437 762 795
E: office@rca-eng.co.uk
W: www.rca-eng.co.uk

CLIENT:

ARCHITECT:
PEMBROKE DESIGN LIMITED

PROJECT:
**PROPOSED COLD STORE,
PUFFIN PRODUCE, WITHYBUSH
IND. ESTATE, HAVERFORDWEST**

DRAWING TITLE:
TYPICAL HEADWALL DETAIL

DRAWN BY:	DESIGN BY:	CHECKED BY:	DATE:
GWP	GWP	RSC	05/06/17

SCALES:	DRAWING No.:	REVISION:
1:20	19784/07	

ORIGINAL DRAWING A2
© Roger Casey Associates Limited 2017